

WILSONWERKS ARCHIVES

This camera manual is for reference and historical purposes, all rights reserved.

This cover page is copyrighted material. This document may not be sold or distributed without the express consent of the publisher.

©2008 wilsonwerks Llc



ALPA

REFLEX

EXPLORING THE
WONDERLAND

**OF CLOSE-UP
PHOTOGRAPHY**

The ALPA stands alone among cameras. To be sure, the amateur photographer of normal talent can get wonderful results from it with the greatest of ease, but in fact, it is the more enterprising photographer who delights in difficult subjects and unusual shots, who can truly evaluate its unique advantages. Only the Alpa is able under any conditions and in any climate, to reveal the secrets of microcosms, give a high-fidelity reproduction of the most subtle colour tones and seek out, whether at long or short range, the hidden wonders of the world around us, rich in texture, warmth and contrast.

Triumph of close-up photography

The ALPA 6c supplied with its Kern Macro-Switar 50 mm f/1.8 lens, breaks effortlessly through the short distance barrier, enabling you to focus down to ... 7 inches from your subject! What a wealth of new possibilities this opens up for the close-up specialist, whether intent on his favourite insect, flower or rock formation, student of scientific or medical research or observing nature's rich canvas at close quarters and there finding many an artistic masterpiece to reward him.

Close-up photography, in which the Alpa has made advances undreamt of a few years ago, has risen above mere photographic technique to take its place as a new art form.

Brazilian Saturnic
moth
Prof. J. Carayon,
Paris
Photo taken with the
Macro-Switar







Funeral dance
with musicians,
primitive Meinac
Indians (Upper
Xingu)

Paul Lambert, Geneva
Photo taken with
the Macro-Switar
50 mm f/1.8

Technical Features

ALPA Reflex 6c complete with built-in exposure meter, straight 0° reflex viewing. Lenses with automatic preselective diaphragm. Macro-Switar with automatic depth of field indicator.

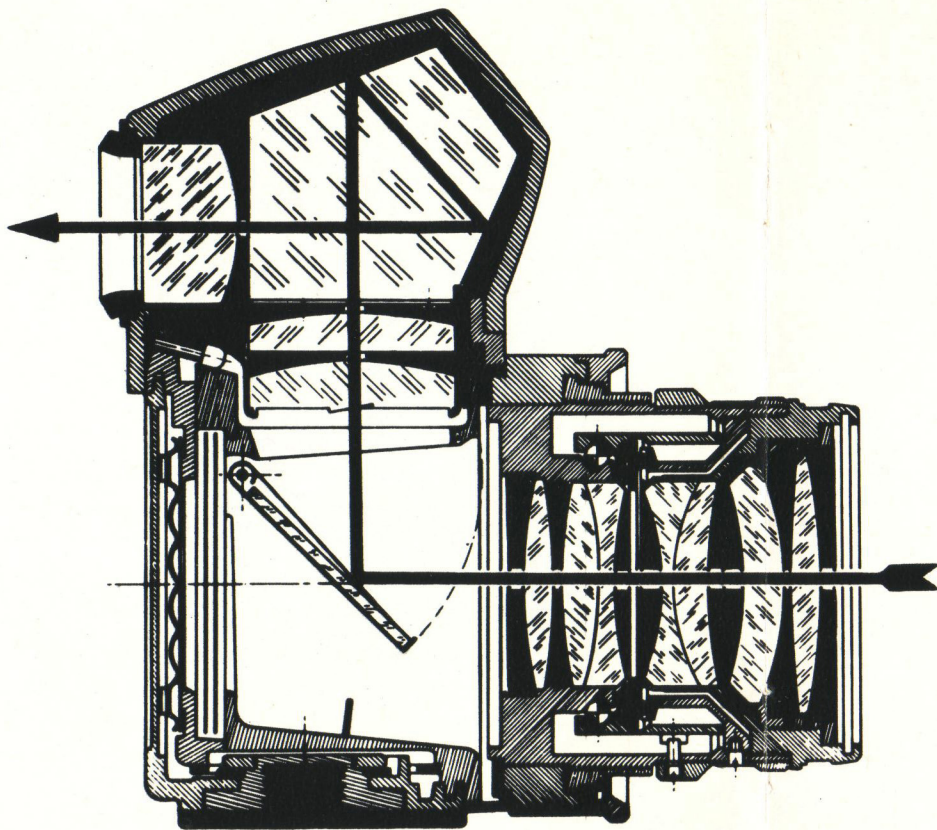
	ALPA Reflex 6c		ALPA Reflex 6c black with Kern Macro-Switar 50 mm f/1.8 black
with Kern Switar 50 mm f/1.8	with Kern Switar 50 mm f/1.8	with Kern Macro-Switar 50 mm f/1.8	with Kern Macro-Switar 50 mm f/1.8 black

Weight of complete camera	30 3/4 oz.	34 1/2 oz.	34 1/2 oz.
Clickstops	1.8 - 22	1.8 - 22	1.8 - 22
Direct focusing from infinity to	21" (17"*)	11" (7"*)	11" (7"*)
Reproduction scale at closest focusing	1/9	1/3	1/3
Reproduction scale with supplementary lens + 1 D.	1/19 - 1/5.8	1/19 - 1/2.4	1/19 - 1/2.4

Wide range of accessories (see general catalogue).

* Distance from lens to subject (the first figure indicates the distance from film to subject)

By reversing the lenshood it can be left in position on the camera in the «ever ready» case.



Cross section showing the principle of 0° viewing

It is in artificial light or in very poor visibility that the combination of the two outstanding features of the Alpa—ultra-luminous reflex plus automatic preselective diaphragm—proves its true superiority. Even in a dark interior you can view your subject clearly and probe into the dimmest corners of your image.

The Alpa is an extremely fast camera both in taking and rewinding. The 6c model is fitted with a pull-out knob which acts as a crank for high speed rewinding. The frontal rapid wind lever, which automatically sets the shutter, winds on the film and operates the exposure counter, is an enormous advantage to the photographer wishing to take a serie of shots in rapid succession.

By means of a single button, the Alpa offers you a complete range of shutter speeds from one second to 1/1000th second, passing through 60 intermediate speeds, 11 of which are noted on the scale and 8 indicated by a mark as explained in the instruction booklet. Time exposures can be taken by cable release. A built-in selftimer ranges up to 20 seconds.

The Alpa undergoes rigid tests both for its mechanical operation and photographic quality, that would be devastating to any other camera. Under the scrutiny of an electronic testing device, the shutter release must operate 600 consecutive times before being passed as perfect. Every Alpa lens is double-checked, first in the factory where it is made, then in the Alpa laboratories where it is given its final adjustments. Every lens therefore has a permanent “record” which is kept at the factory. Every Alpa receives an individual Certificate of Origin which your specialized Alpa dealer will be proud to sign and hand to you on the day that you become the fortunate owner of an Alpa camera.

But photography at close range is only one of the specialities of the “Swiss watchmakers’ camera”. The Alpa is equipped with a wide range of superb interchangeable lenses, nearly all of them with automatic

Interchangeable



The Alpa 6c equipped with its standard lens
SWITAR 50 mm f/1.8 45° (Kern)
Normal focal length lens of exceptional quality with apochromatic correction. Suitable for all types of photography, it fulfils the most exacting requirements. Direct focusing to 1/9 lifesize.



CURTAGON 35 mm f/2.8 65° (Jos. Schneider)

Medium wide angle for general use still showing an appreciable difference of angle when compared with a normal focal length. Special lens hood but normal filters \varnothing . When used in underwater photography, its angle of field corresponds approximately to that of a normal focal length.



ALFITAR 90 mm f/2.5 27° (Angenieux)

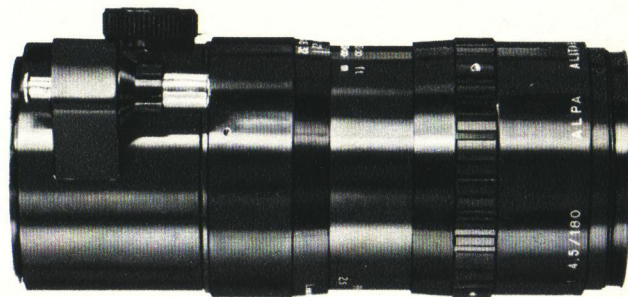
Medium focal length lens for general use, equally suitable for portraits, action shots, child studies, etc. Direct focusing up to 1/9 lifesize (with supplementary lens up to 1/5) giving exciting scope for close-ups.

SHORT RANGE and LONG RANGE lenses



TELE XENAR 135 mm f/3.5
18° (Jos. Schneider)

A true telephoto lens and therefore extremely compact in construction when compared with a normal focal length. The ideal compromise when only one lens of long focal length is required. It is advisable to guard against «shake» when taking without a tripod.



ALITAR 180 mm f/4.5 **13° (Angenieux)**

True telephoto lens of the longest focal length that can be used without a tripod (enlargement x 3.6 compared with normal lens). This focal length is remarkably successful for wild life studies and for sport.



« Dinner is served ! »
African lion
Marcel Haubensak,
Lausanne
Photo taken with the
Tele-Xenar 135 mm

preselective diaphragm. Moreover, all these Alpa lenses—there are 14 at present including 4 apochromats—are instantly interchangeable.

On the Alpa, precision reflex framing shows the exact area of a mounted slide, i.e. 23×35 mm. This is of the utmost importance both for colour transparencies and macrophotography.

This framing remains exact over the whole range of distances. The Alpa's groundglass gives you complete control of sharpness, depth of field and colour harmony.

The Alpa offers ultra-luminous reflex viewing—the only system that gives complete satisfaction in miniature colour photography. Furthermore, as the Alpa's lenses are fitted with automatic preselection, you are free to take full advantage of reflex viewing and compose the framing of your picture up to the very edges.

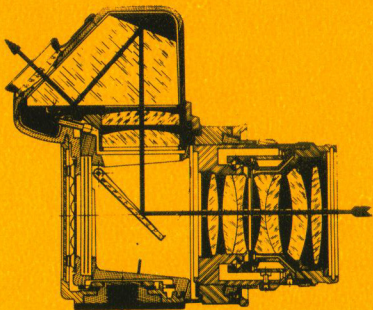
Focusing by means of the helical ramp of the lens guarantees continuous control of the image on the groundglass. Since the Alpa's split-image rangefinder is in the centre of the groundglass itself, focusing could not be easier. The rangefinder is in diagonal section so that focusing can be done equally easy either on horizontal or vertical lines, with complete accuracy. The central rangefinder is surrounded by a clear zone (a virtual optical window) for checking the aerial image.

The reflex mirror has a lightning return and disappears only for the moment of exposure then flips back instantly. This means that there is virtually no image black-out for any exposure faster than 1/30th second and the photographer can thus keep his subject under constant observation after exposure as well as beforehand.

Alpa-Reflex 6b with 45° reflex viewing

Top photo: with Kern Switar 50 mm f/1.8

Bottom photo: with Kern Macro-Switar 50 mm f/1.8



Cross section showing the principle of 45° viewing

PIGNONS S. A. BALLAIGUES SWITZERLAND



U. S. Agents: Karl HEITZ Inc.
High Precision Photo Equipment,
480 Lexington Avenue, New York 17, N. Y.
ELdorado 5-5691

