

WILSONWERKS ARCHIVES

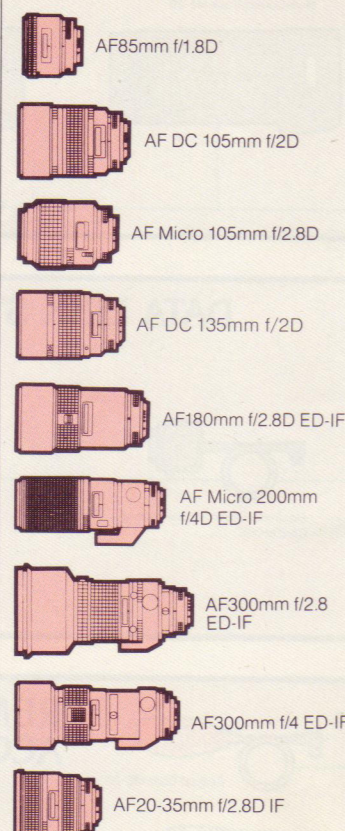
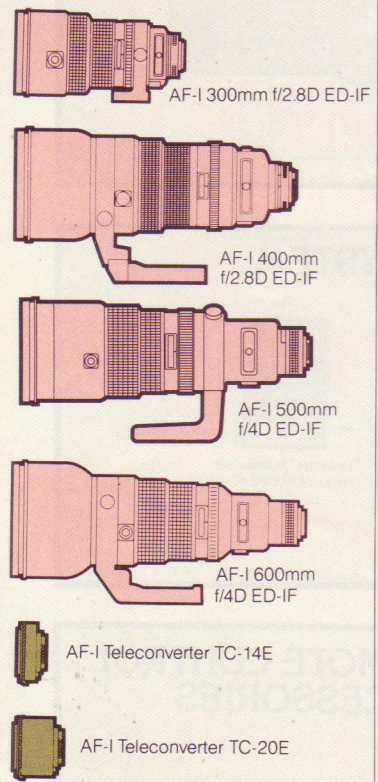
This camera manual is for reference and historical purposes, all rights reserved.

This cover page is copyrighted material. This document may not be sold or distributed without the express consent of the publisher.

©2008-2025 wilsonwerks Llc

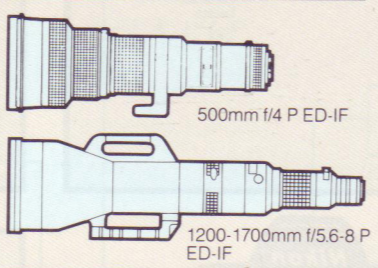
The world's most comprehensive photography system.

AF-I (WITH BUILT-IN AF MOTOR)

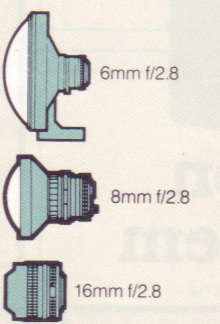


AF

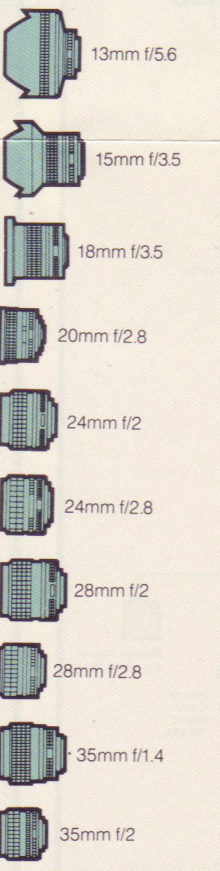
AI-P (WITH BUILT-IN COMPUTER)



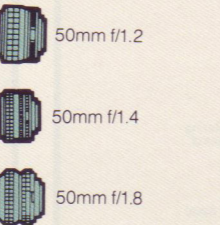
FISHEYE



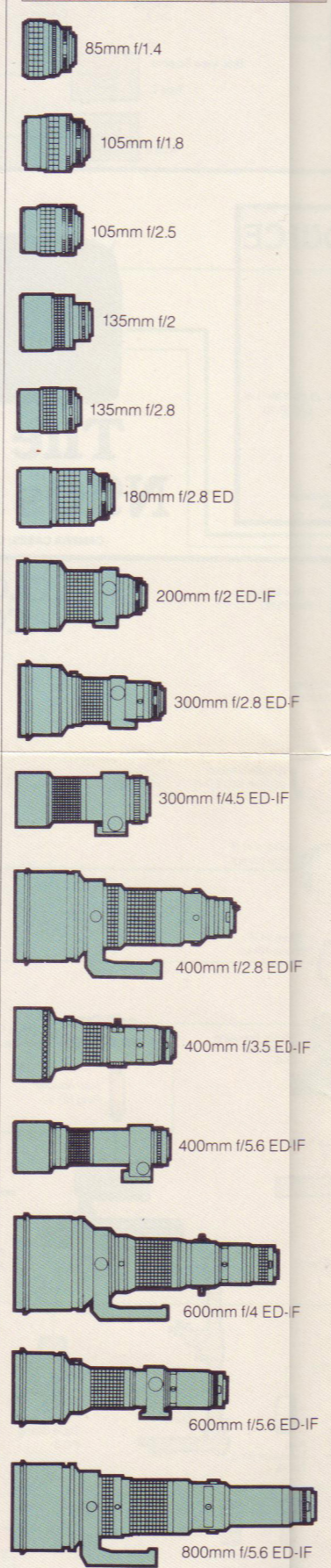
WIDEANGLE



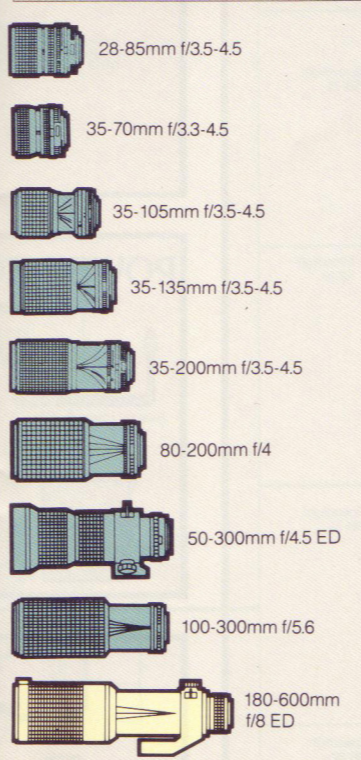
NORMAL



TELEPHOTO



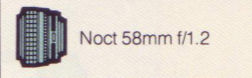
ZOOM



MICRO



NOCT



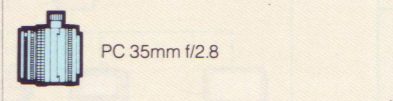
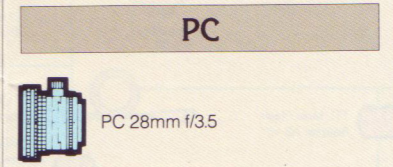
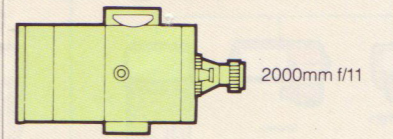
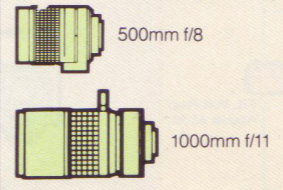
UV



MEDICAL



REFLEX



Lens Compatibility Chart

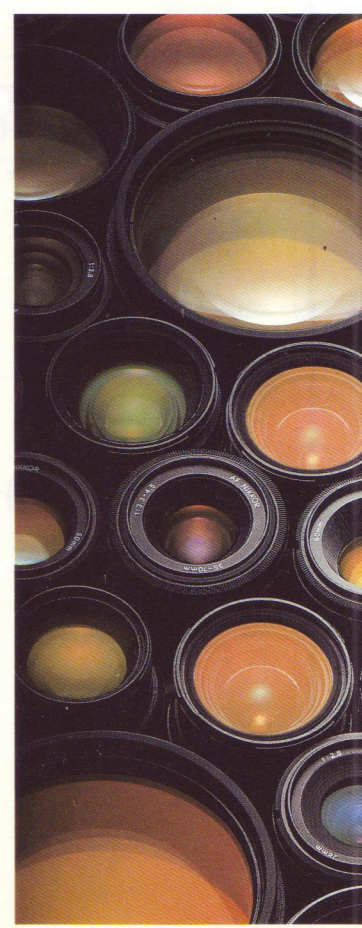
Lens/Accessory	Focusing			Exposure mode			Metering system	
	Autofocus	Manual with electronic rangefinder	Manual with matte field	Program (P, Ps) and Shutter-Priority Auto (S)	Aperture-Priority Auto (A)	Manual (M)	Matrix	Center-Weighted and Spot
AF-I Nikkor, D-type AF Nikkor and AF Nikkor lenses	○	○	○	○	○	○	○ ¹¹	○
AF-I Teleconverters ²	○ ³	○	○	○	○	○	○	○
AI-P-type Nikkor lenses	x	○ ⁴	○	○	○	○	○	○
AI-type Nikkor lenses (including AI-S Nikkor)	x	○	○	x	○	○	x	○
AI-modified Nikkor lenses	x	○ ⁴	○	x	○	○	x	○
Medical-Nikkor 120mm f/4 IF	x	○	○	x	x	○ ⁵	x	x ⁶
Reflex-Nikkor lenses	x	x	○	x	○ ⁷	○ ⁷	x	○
PC-Nikkor lenses	x	x	○	x	○ ⁸	○ ⁹	x	○
Teleconverters	x	○ ³	○	x	○	○	x	○
Belows Focusing Attachment PB-6	x	○ ³	○	x	○ ¹¹	○ ¹¹	x	○
Auto Extension Rings (11A, 12, 13 and PN-11) ¹⁰	x	○ ³	○	x	○	○	x	○

○ Compatible x Incompatible
¹ 3D Matrix Metering is selected with D-type lenses and Advanced Matrix Metering is selected with non-D-type lenses.
² Compatible with AF-I Nikkor lenses only.
³ With maximum effective aperture of f/5.6 or faster.
⁴ With maximum aperture of f/5.6 or faster.
⁵ Set shutter speed to 1/125 sec. or slower.
⁶ Because the diaphragm is coupled to the focusing ring, determining exposure is independent from camera's metering system.
⁷ Aperture cannot be selected.
⁸ Set preset ring, then use AE-lock lever before shifting.
⁹ Set preset ring, then determine exposure before shifting.
¹⁰ PK-1, PK-2, PK-3 and PN-1 Rings cannot be attached to the N90 camera. PK-11 Ring cannot be attached to AF Nikkor lenses. These rings may damage CPU contacts. Use PK-11A for AF Nikkor lenses instead of PK-11.
¹¹ Shutter should be released after exposure is measured by stopping down PB-6.

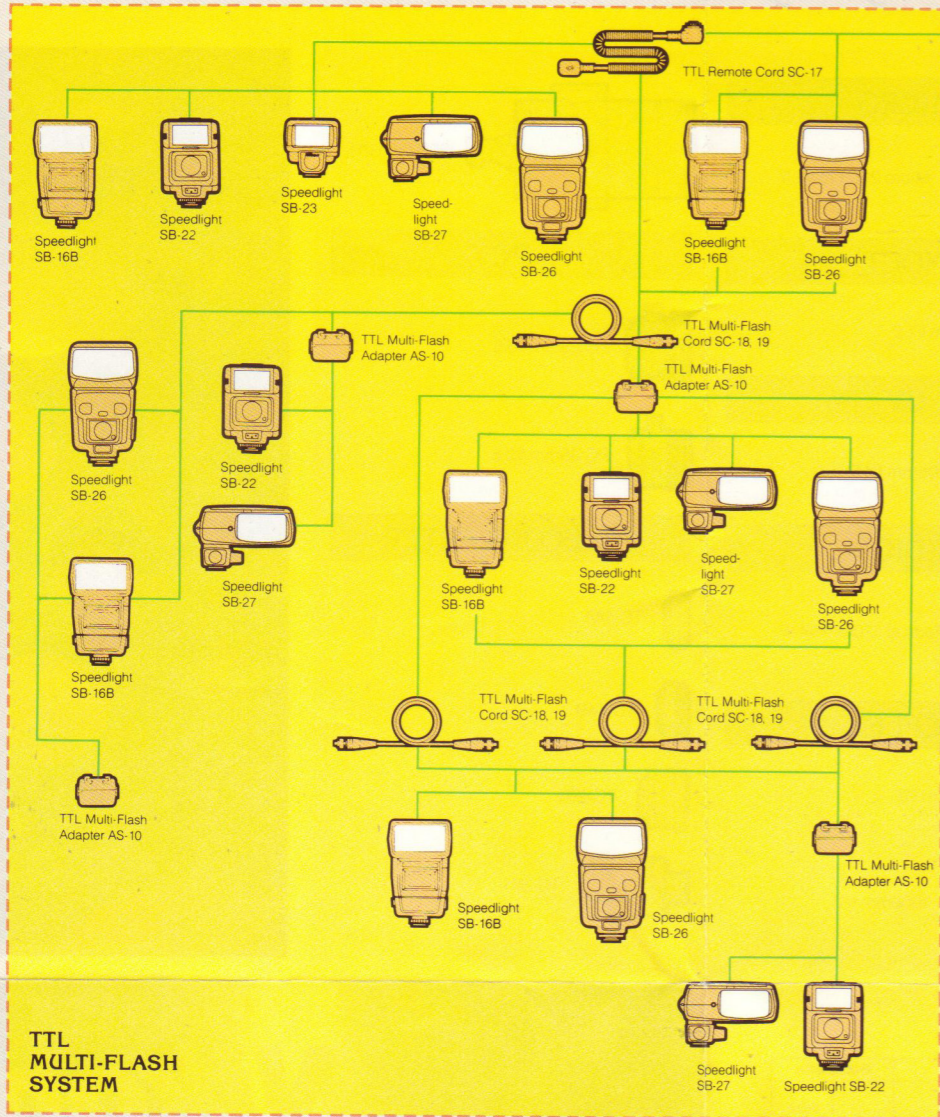
Nikon
 We take the world's
 greatest pictures.®

Nikon
N90s
 FAST AND ACCURATE

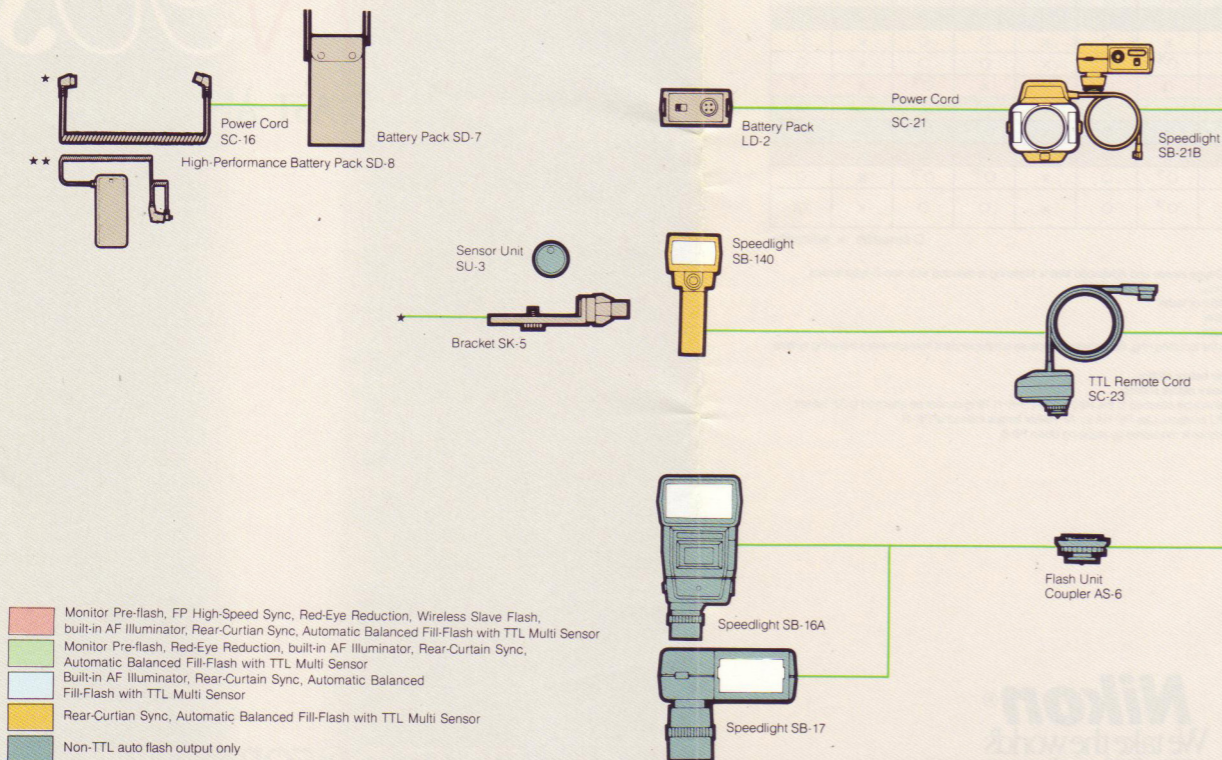
SYSTEM INFORMATION



SPEEDLIGHTS

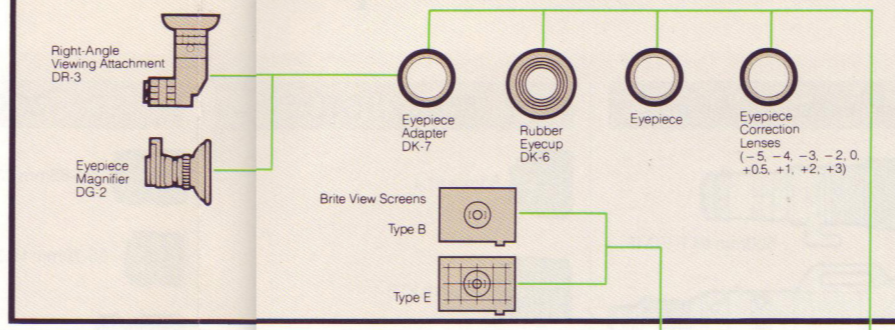


TTL MULTI-FLASH SYSTEM

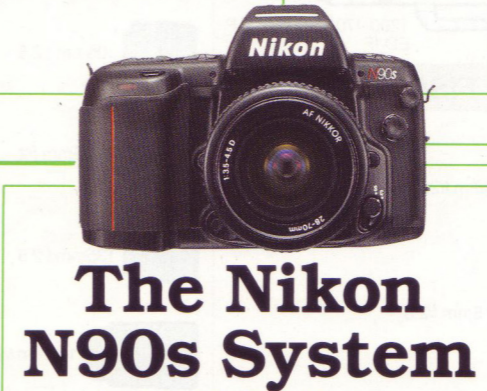
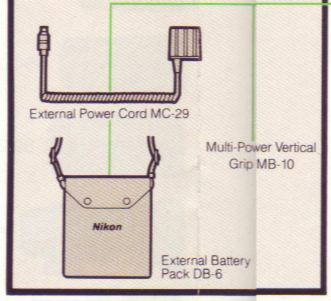


- Monitor Pre-flash, FP High-Speed Sync, Red-Eye Reduction, Wireless Slave Flash, built-in AF Illuminator, Rear-Curtain Sync, Automatic Balanced Fill-Flash with TTL Multi Sensor
- Monitor Pre-flash, Red-Eye Reduction, built-in AF Illuminator, Rear-Curtain Sync, Automatic Balanced Fill-Flash with TTL Multi Sensor
- Built-in AF Illuminator, Rear-Curtain Sync, Automatic Balanced Fill-Flash with TTL Multi Sensor
- Rear-Curtain Sync, Automatic Balanced Fill-Flash with TTL Multi Sensor
- Non-TTL auto flash output only

FINDER ACCESSORIES



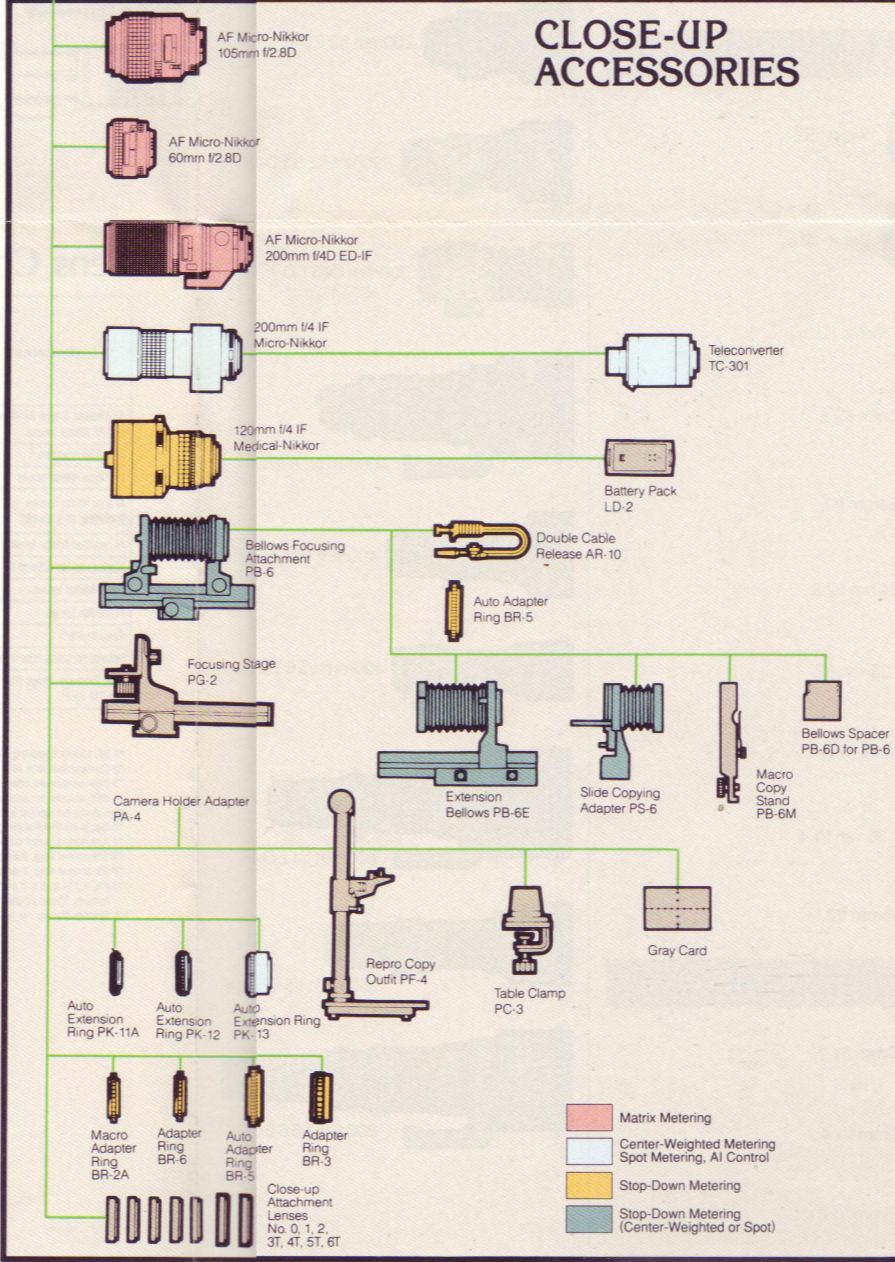
POWER SOURCE



The Nikon N90s System

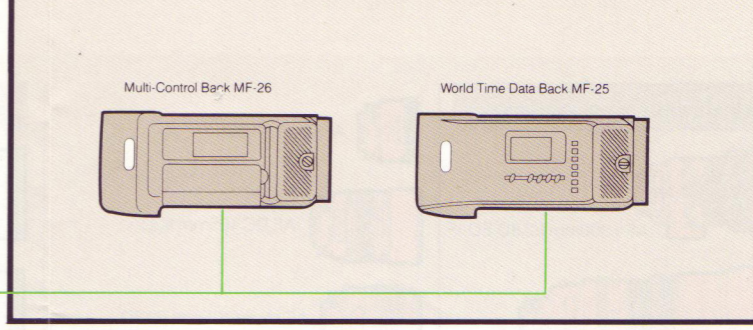
CAMERA CASES: CF-47, CF-47D, CF-48A Front Flap

CLOSE-UP ACCESSORIES

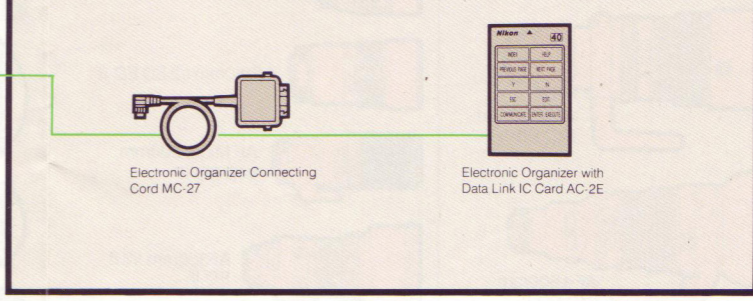


- Matrix Metering
- Center-Weighted Metering
- Stop-Down Metering
- Stop-Down Metering (Center-Weighted or Spot)

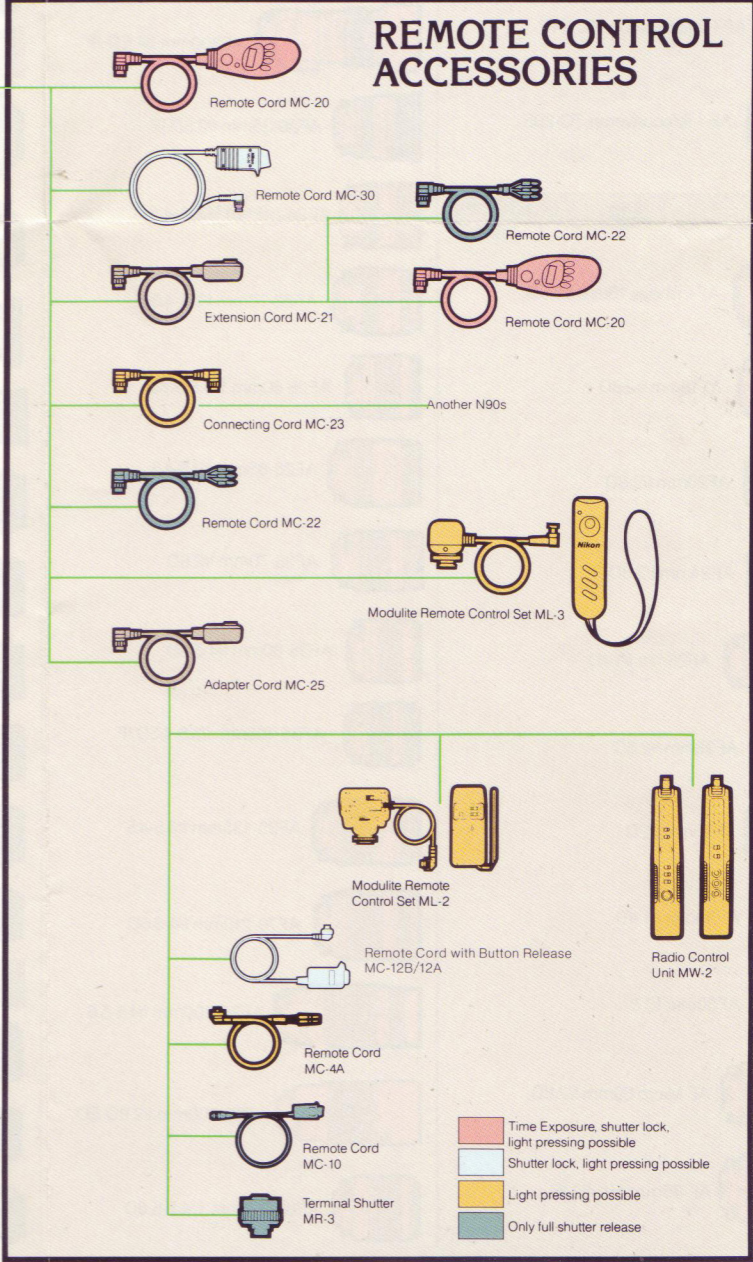
DATA BACKS



DATA LINK SYSTEM



REMOTE CONTROL ACCESSORIES



- Time Exposure, shutter lock, light pressing possible
- Shutter lock, light pressing possible
- Light pressing possible
- Only full shutter release